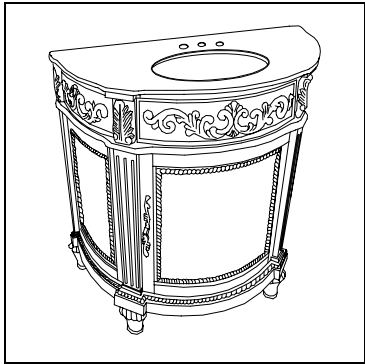


**BATH VANITY WITH BOW FRONT & SINGLE DOOR**  
**TBV.2031**



**SLAB TOP OPTIONS**

**T14 Black Marble**

**T15 Travertine**

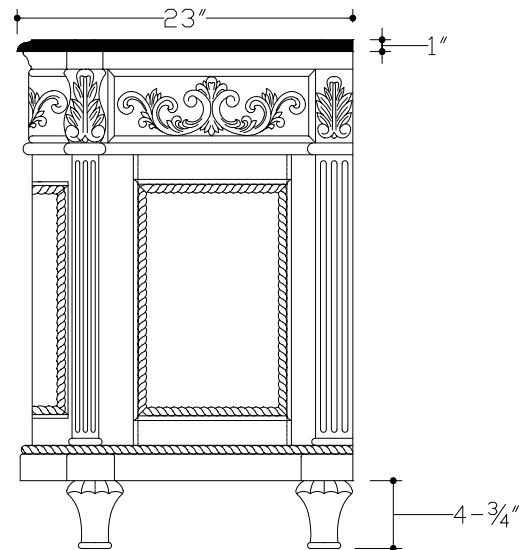
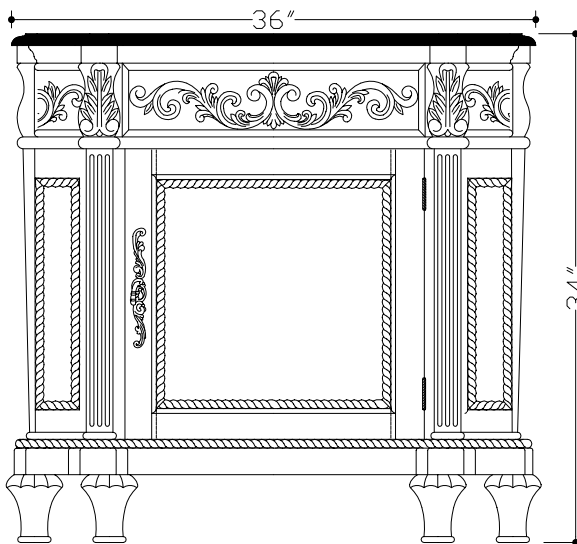
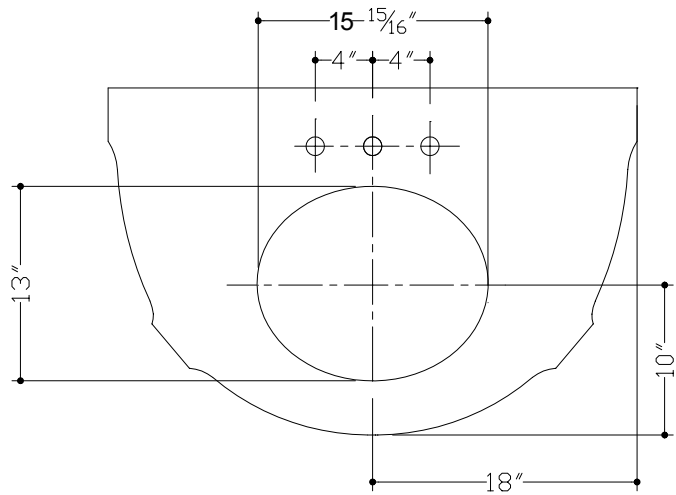
**UNDER-MOUNT LAVATORY COLOR OPTIONS**

**01 White**

**02 Biscuit**

**04 Black**

**VANITY COLOR**  
**.31 Italian Sagebrush**



All dimensions are based on original specifications and are subject to change and variation. Please contact your Regatta Water Co. associate for any updated specifications. Faucet not included.

Vanity dimensions are nominal and may vary within the range of tolerances established by ASME/ANSI standards.