

VERANDAH

STONE VESSEL

VSV.3038

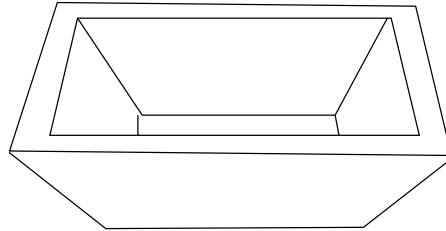
REGATTA™
water co.
an AXENT corporation

Features

- 21" (53.3cm) x 15-3/4" (40cm)
- Marble or stone vessel
- Above-the-counter design
- Without overflow
- No faucet holes
- Smooth, hand-finished design

Marble & Stone

- .11 Carrara Bianco White Marble
- .13 Black Beach Granite

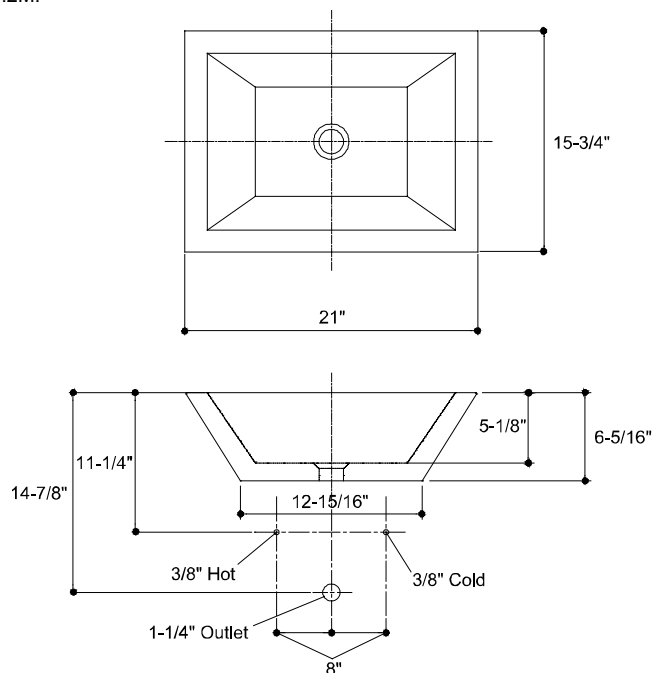


INSTALLATION NOTES

Install this product according to the installation guide.

Fixture dimensions are nominal and conform to tolerances in

ASME Standard A112.19.2M.



NOTES:

DIMENSIONS SHOWN FOR LOCATION OF SUPPLIES AND "P" TRAP ARE SUGGESTED.

FITTINGS NOT INCLUDED AND MUST BE ORDERED SEPARATELY.

IMPORTANT: Dimensions of fixtures are nominal and may vary within the range of tolerances established by ANSI Standard A112.19.2M

These measurements are subject to change or cancellation. No responsibility is assumed for use of superseded or voided pages.