

**PAPER CUP**  
**STONE VESSEL**  
**PSV.3043**

**REGATTA™**  
**water co.**  
an AXENT corporation

**Features**

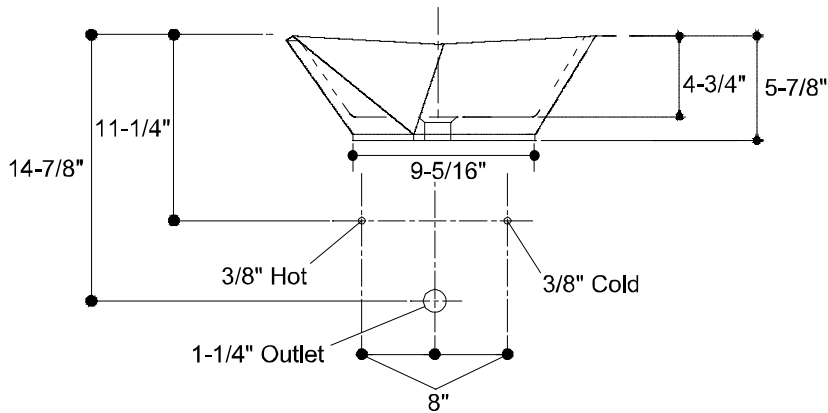
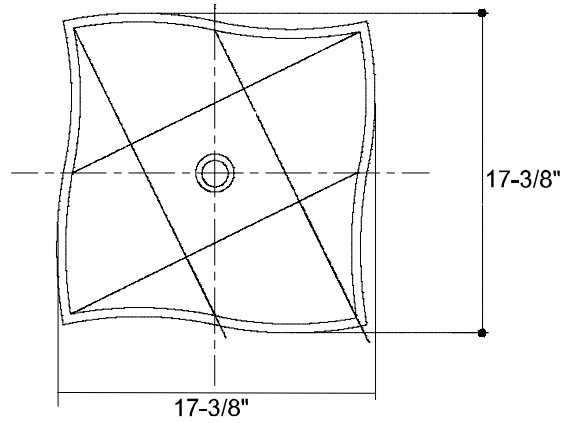
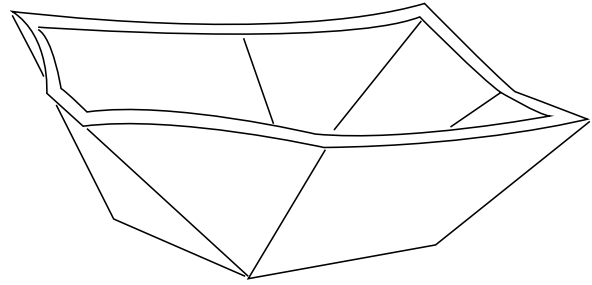
- . 17-3/8" (44.1cm) x 17-3/8" (44.1cm)
- . Marble or stone vessel
- . Above-the-counter design
- . Without overflow
- . No faucet holes
- . Smooth, hand-finished design

**Marble & Stone**

- .11 Carrara Bianco White Marble
- .13 Black Beach Granite
- .14 Black Marble

**INSTALLATION NOTES**

Install this product according to the installation guide.  
Fixture dimensions are nominal and conform to tolerances in  
ASME Standard A112.19.2M.



**NOTES:**

DIMENSIONS SHOWN FOR LOCATION OF SUPPLIES AND "P" TRAP ARE SUGGESTED.  
FITTINGS NOT INCLUDED AND MUST BE ORDERED SEPARATELY.

**IMPORTANT:** Dimensions of fixtures are nominal and may vary within the range of tolerances established by ANSI Standard A112.19.2M  
These measurements are subject to change or cancellation. No responsibility is assumed for use of superseded or voided pages.