

PENINSULA™

ONE-PIECE WATER CLOSET
6003.001

REGATTA™
water co.
an AXENT corporation

Features

- 12" (30.5 cm) rough-in
- Vitreous china
- Elongated bowl
- One-piece design
- EZ Height™
- 17 1/8" high bowl with seat is ADA compliant
- Low-consumption 1.6 gpf (6 lpf)
- 2 1/4" fully glazed trapway
- Includes EZ Close™ seat and cover
- Includes polished chrome (solid brass) trip lever
- Less Supply
- 3" PF™ flapper
- Power-Might™ flushing technology
- 100% factory flush tested

Codes & Standards

Specified model meets or exceeds the following standards

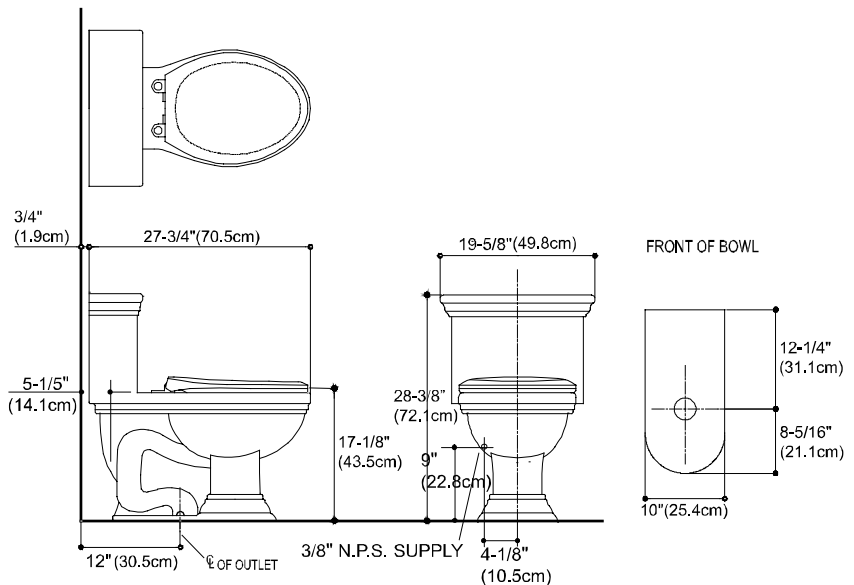
- ADA
- ASME A112.19.2M
- ASME A112.19.6M
- Energy Policy Act of 1992 (EPACT)
- IAPMO/UPC

Colors

- .01 White
- .02 Demure (Biscuit)

Trip Lever

- 4000.026 Polished Chrome
- 4000.003 Polished Brass (PVD)
- 4000.043 Polished Nickel (PVD)
- 4000.042 Satin Nickel (PVD)
- 4000.034 Tuscan Bronze



Product Specification:

The elongated one-piece water closet shall be 12" rough-in. Water closet shall be at EZ height. Water closet shall be 1.6 gpf (6 lpf) with Power-Might flushing technology. Water closet shall include polished chrome trip lever and EZ Close seat and cover.

Water closet shall be ADA compliant with 17 1/8" high bowl with seat. Water closet shall be Peninsula design (6003.001).

Water closet shall be less supply. Water closet shall have 3" PF™ flapper.

All dimensions are based on original specifications and are subject to change and variation. Please contact your Regatta Water Co. associate for any updated specifications.