

MILLSTONE

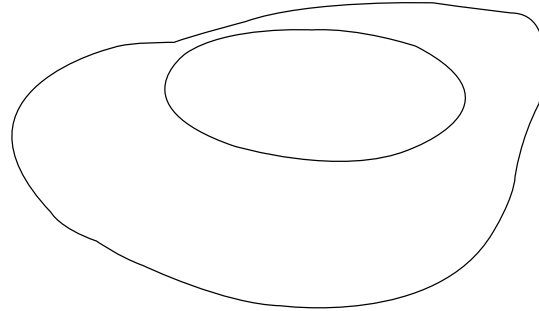
STONE BASIN

MSV.3042

REGATTA™
water co.
an AXENT corporation

Features

- Typical size 21" (53.3cm) x 16" (40.6cm)
- Marble or stone vessel
- Without overflow
- No faucet holes
- Free-formed natural boulder



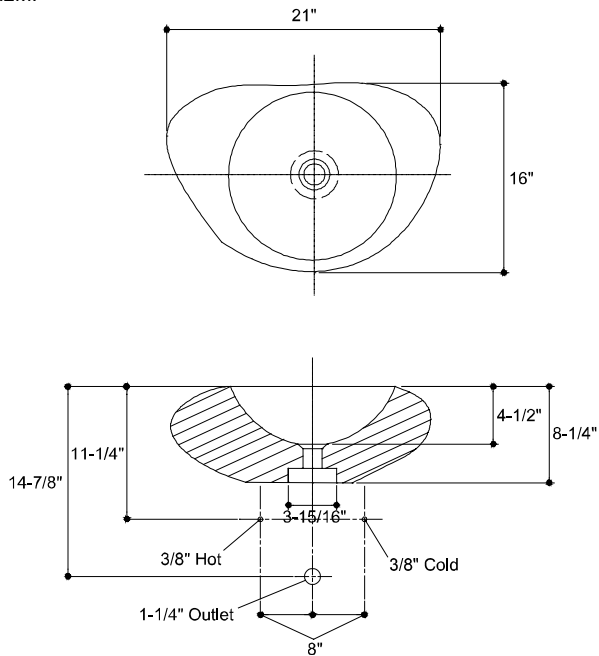
Marble & Stone

- Natural Stone

INSTALLATION NOTES

Install this product according to the installation guide.

Fixture dimensions are nominal and conform to tolerances in ASME Standard A112.19.2M.



NOTES:

DIMENSIONS SHOWN FOR LOCATION OF SUPPLIES AND "P" TRAP ARE SUGGESTED.

FITTINGS NOT INCLUDED AND MUST BE ORDERED SEPARATELY.

IMPORTANT: Dimensions of fixtures are nominal and may vary within the range of tolerances established by ANSI Standard A112.19.2M

These measurements are subject to change or cancellation. No responsibility is assumed for use of superseded or voided pages.