

KARARA
STONE VESSEL
KSV.3031

Features

- . 21-3/4" (55.2cm) x 17" (43.2cm)
- . Marble or stone vessel
- . Above-the-counter design
- . Without overflow
- . No faucet holes
- . Hand-finished design

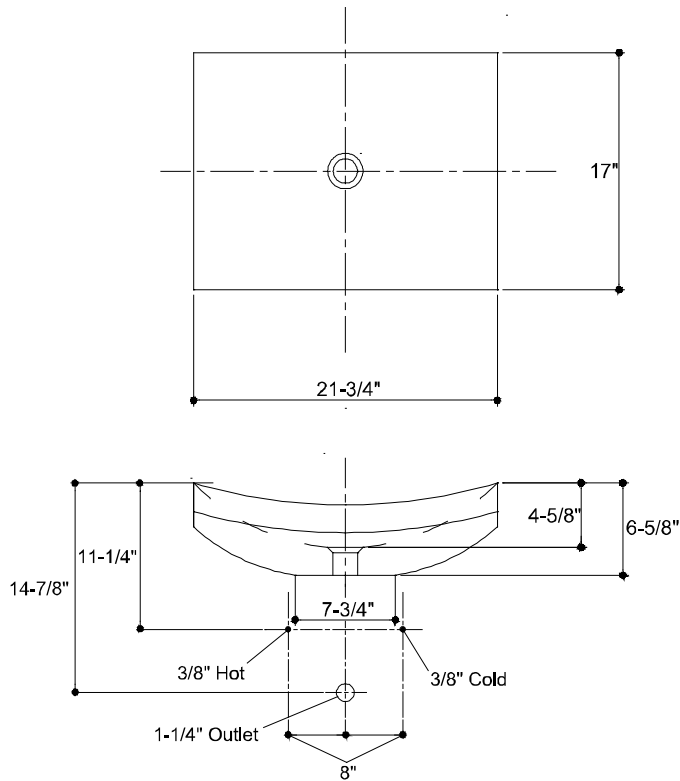
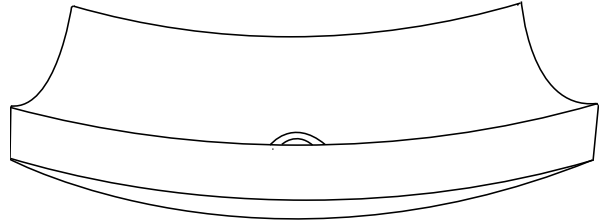
Marble & Stone

- .12 Midnight Black Granite
- .13 Black Beach Granite

INSTALLATION NOTES

Install this product according to the installation guide.
Fixture dimensions are nominal and conform to tolerances in
ASME Standard A112.19.2M.

REGATTA™
water co.
an AXENT corporation



NOTES:

DIMENSIONS SHOWN FOR LOCATION OF SUPPLIES AND "P" TRAP ARE SUGGESTED.
FITTINGS NOT INCLUDED AND MUST BE ORDERED SEPARATELY.

IMPORTANT: Dimensions of fixtures are nominal and may vary within the range of tolerances established by ANSI Standard A112.19.2M
These measurements are subject to change or cancellation. No responsibility is assumed for use of superseded or voided pages.