

EDGEWATER

BIDET
7001.001

Features

- .Traditional styling
- .Punched for a single-hole over-the-rim, less flushing rim and spray
- .Vitreous china construction
- .Edgewater suite: Matching water closets, counter basin and pedestal lavatory
- .Wide, spacious basin for comfortable use
- .With integral overflow
- .Supplied with bolt caps

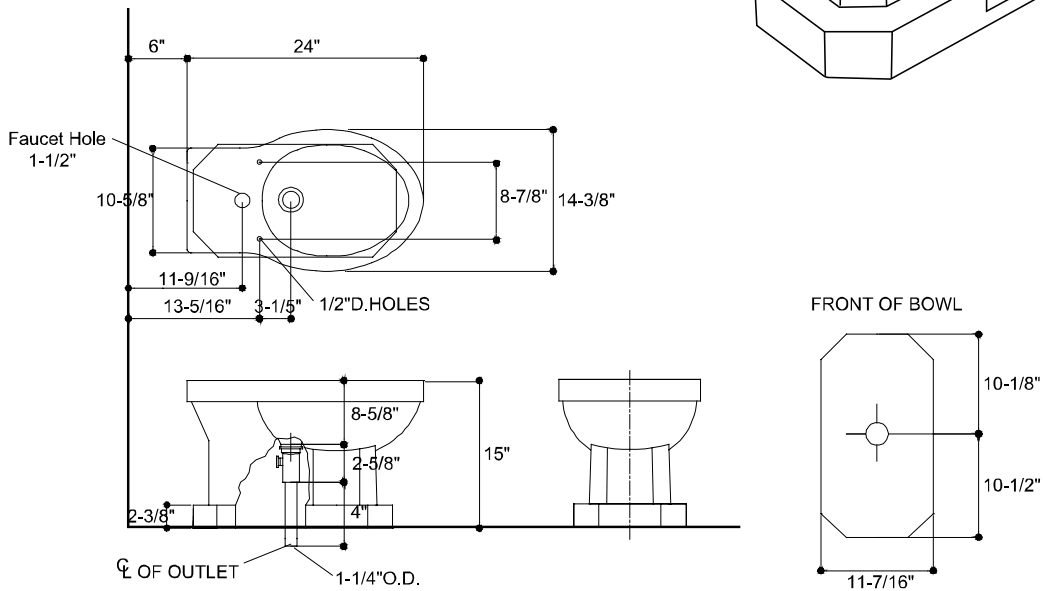
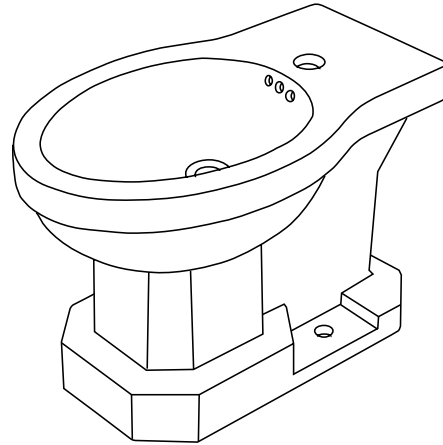
Colors

- .01 White
- .02 Demure (Biscuit)

INSTALLATION NOTES

Install this product according to the installation guide.
Fixture dimensions are nominal and conform to tolerances in ASME Standard A112.19.2M.

REGATTA™
water co.
an AXENT corporation



NOTES:

DIMENSIONS SHOWN FOR LOCATION OF SUPPLIES AND "P" TRAP ARE SUGGESTED.

WALL OUTLET INSTALLATION REQUIRES:

- A TRUE 1-1/4" BODIED "P" TRAP; DO NOT USE A UNIVERSAL 1-1/4"x1-1/2" TRAP.
 - DRAIN TAILPIECE LENGTH MUST BE CUT TO 1-1/2" (38mm) MAXIMUM TO PROVIDE CLEARANCE BETWEEN BASE OF P-TRAP AND FLOOR.
 - DRAIN CONNECTION TO WALL OUTLET IS OFFSET TO PREVENT INTERFERENCE WITH OPERATION OF POP-UP DRAIN LIFT ROD.
- THRU-FLOOR OUTLET INSTALLATION (ALTERNATE). "P" TRAP AND FITTINGS NOT INCLUDED AND MUST BE ORDERED SEPARATELY. REFER TO INSTALLATION INSTRUCTIONS SUPPLIED WITH BIDET FOR ADDITIONAL INFORMATION.

IMPORTANT: Dimensions of fixtures are nominal and may vary within the range of tolerances established by ANSI Standard A112.19.2M. These measurements are subject to change or cancellation. No responsibility is assumed for use of superseded or voided pages.