

## CREEK

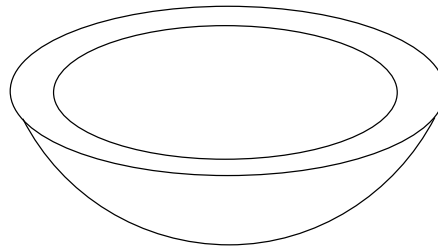
### STONE VESSEL

CSV.3032

REGATTA™  
water co.  
an AXENT corporation

#### Features

- 18" (45.7cm) round
- Marble or stone vessel
- Above-the-counter design
- Without overflow
- No faucet holes
- Smooth, hand-finished design



#### Marble & Stone

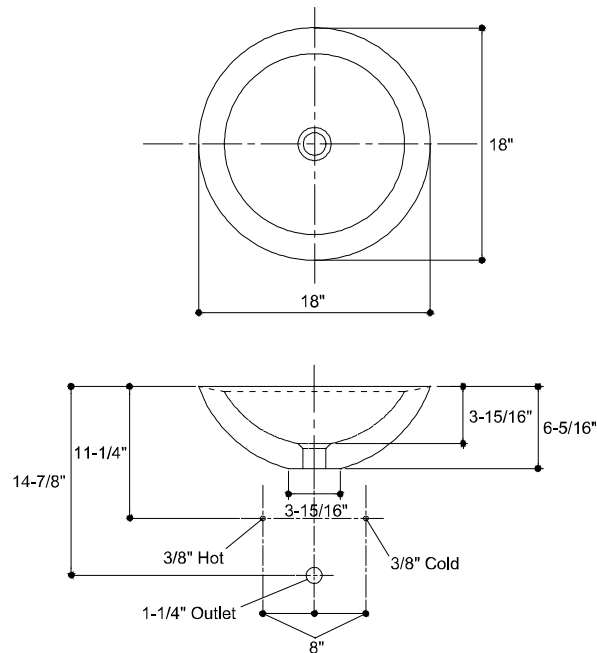
- .13 Black Beach Granite

#### INSTALLATION NOTES

Install this product according to the installation guide.

Fixture dimensions are nominal and conform to tolerances in

ASME Standard A112.19.2M.



#### NOTES:

DIMENSIONS SHOWN FOR LOCATION OF SUPPLIES AND "P" TRAP ARE SUGGESTED.

FITTINGS NOT INCLUDED AND MUST BE ORDERED SEPARATELY.

IMPORTANT: Dimensions of fixtures are nominal and may vary within the range of tolerances established by ANSI Standard A112.19.2M

These measurements are subject to change or cancellation. No responsibility is assumed for use of superseded or voided pages.