

CUTTER™
COUNTERTOP BASIN
1008.000

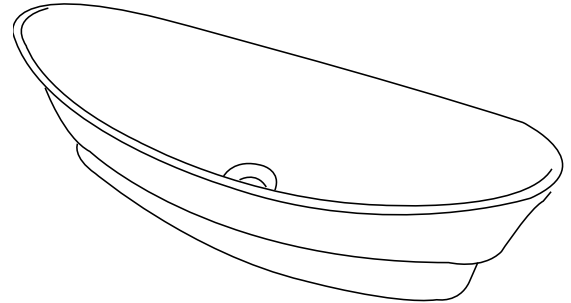


Features

- 30-1/4" (768.3mm) x 10-3/4" (273mm)
- Simple round soft styling
- Vitreous china construction
- Front overflow
- Deck cut-out template included
- Wide, spacious basin for comfortable use
- For use with wall-mount or tall deck-mount faucets

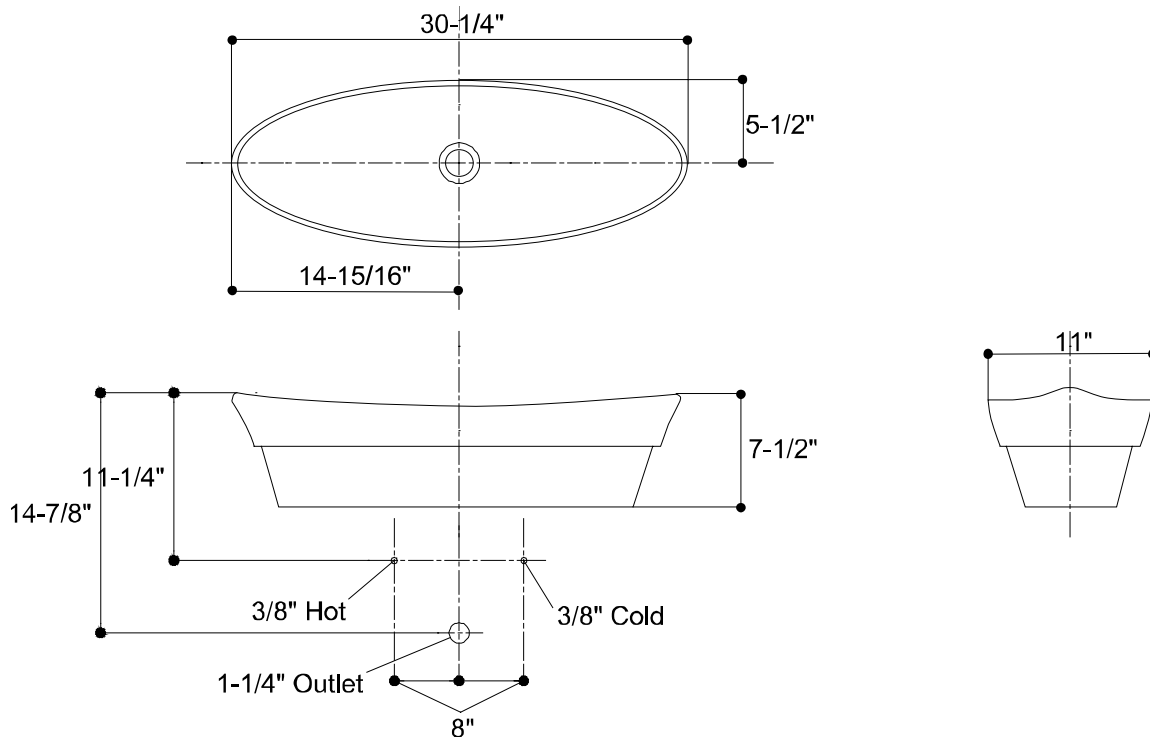
Colors

- .01 White
- .02 Demure (Biscuit)



INSTALLATION NOTES

Install this product according to the installation guide.
Fixture dimensions are nominal and conform to tolerances in ASME Standard A112.19.2M.



NOTES:
DIMENSIONS SHOWN FOR LOCATION OF SUPPLIES AND "P" TRAP ARE SUGGESTED.
FOR COUNTERTOP CUTOUT AND INSTALLATION INSTRUCTIONS: USE TEMPLATE SUPPLIED WITH LAVATORY.
FITTINGS NOT INCLUDED AND MUST BE ORDERED SEPARATELY.

IMPORTANT: Dimensions of fixtures are nominal and may vary within the range of tolerances established by ANSI Standard A112.19.2M
These measurements are subject to change or cancellation. No responsibility is assumed for use of superseded or voided pages.