

BARRISTER
FARMHOUSE BASIN
BKS.3528

Features

- . 30" (76.2cm) x 18" (45.7cm)
- . Marble or stone vessel

- . Single compartment kitchen sink
- . Without overflow
- . No faucet holes
- . Smooth, hand-finished design

Marble & Stone

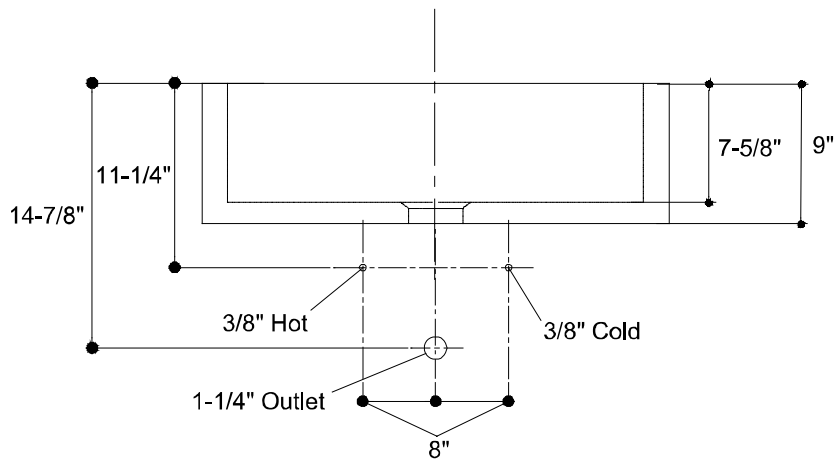
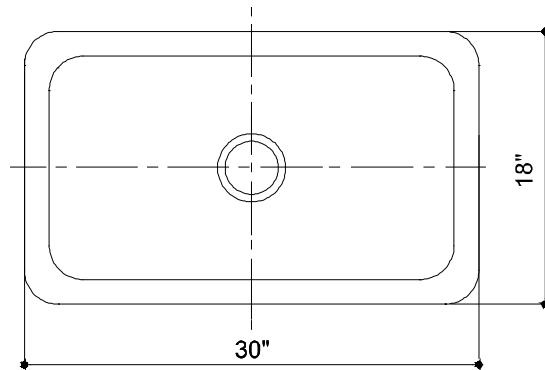
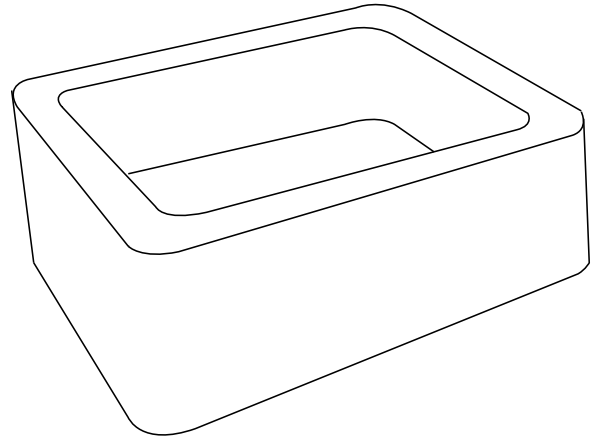
- . 18 Gray Natural Granite

INSTALLATION

Install this product according to the installation guide.

Fixture dimensions are nominal and conform to tolerances in ASME Standard A112.19.2M.

REGATTA™
water co.
an AXENT corporation



NOTES:

DIMENSIONS SHOWN FOR LOCATION OF SUPPLIES AND "P" TRAP ARE SUGGESTED.
FITTINGS NOT INCLUDED AND MUST BE ORDERED SEPARATELY.

IMPORTANT: Dimensions of fixtures are nominal and may vary within the range of tolerances established by ANSI Standard A112.19.2M. These measurements are subject to change or cancellation. No responsibility is assumed for use of superseded or voided pages.