

BELLINA™
PEDESTAL LAVATORY
5002.330

REGATTA™
water co.
an AXENT corporation

Features

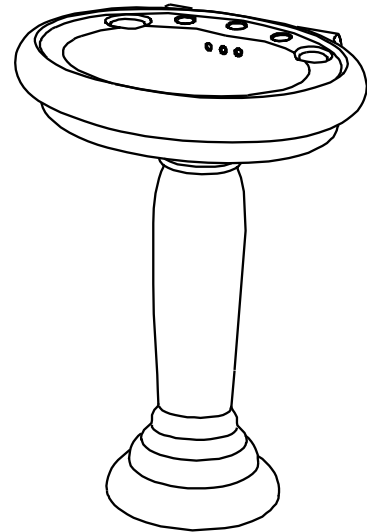
- 26-7/8" (68.3cm) x 21-3/4" (55.2cm)
- Traditional styling with distinctive lines.
- 35" Height for maximum comfort
- Bellina suite: Matching water closets, bidet and self-rimming lavatories
- Wide, spacious basin for comfortable use
- Rear overflow
- Vitreous china pedestal lavatory combination
- Mounting hardware included
- Drilled for 8" widespread faucet
- Faucet deck with integral soap recesses

Colors

- .01 White
- .02 Demure (Biscuit)

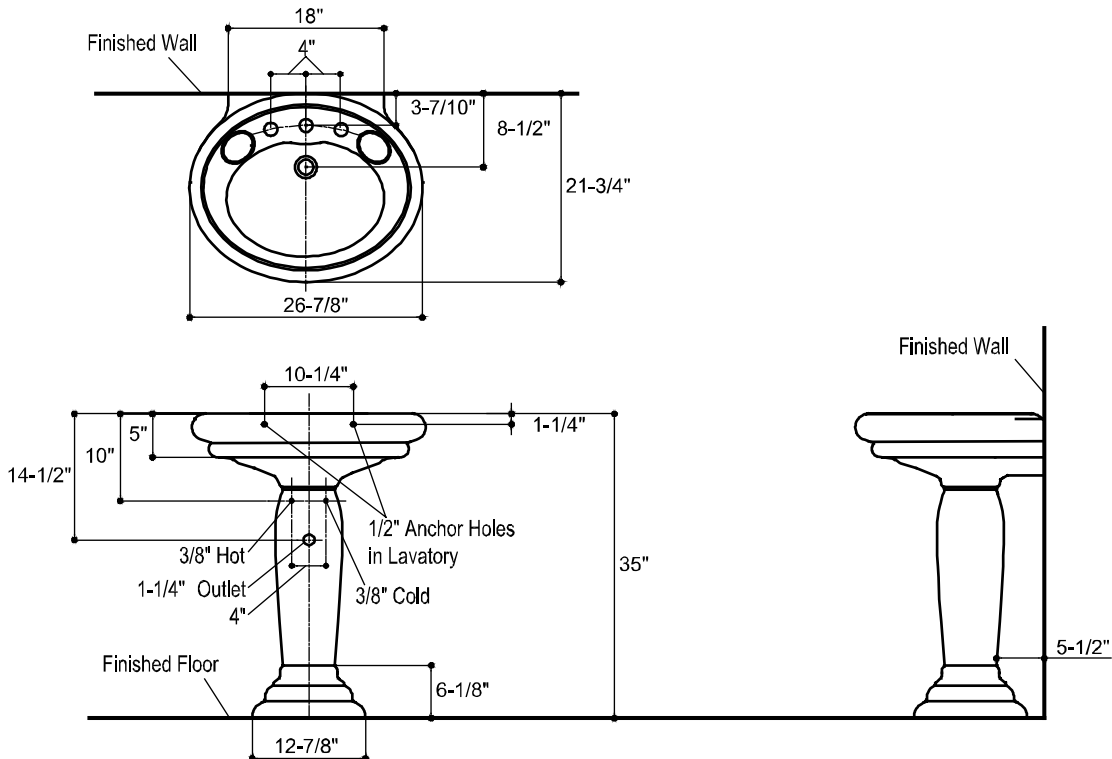
Product Components

- 5002.008 – Lavatory basin
- 5002.022 – Pedestal base only



INSTALLATION NOTES

Install this product according to the installation guide.
 Fixture dimensions are nominal and conform to tolerances in.
 ASME Standard A112.19.2M.



NOTES:
 DIMENSIONS SHOWN FOR LOCATION OF SUPPLIES AND "P" TRAP ARE SUGGESTED. FOR REINFORCEMENT TAKE ACTUAL DIMENSIONS FROM FIXTURE. LAVATORY ANCHORS FOR MOUNTING ARE FURNISHED. INSTALLATION INSTRUCTIONS SUPPLIED WITH LAVATORY. FITTINGS NOT INCLUDED AND MUST BE ORDERED SEPARATELY.

IMPORTANT: Dimensions of fixtures are nominal and may vary within the range of tolerances established by ANSI Standard A112.19.2M
 These measurements are subject to change or cancellation. No responsibility is assumed for use of superseded or voided pages.