

**ASTOR**  
**STONE VESSEL**  
**ASV.3035**

**Features**

- . 16-1/2" (42cm) round
- . Marble or stone vessel
- . Above-the-counter design
- . Without overflow
- . No faucet holes
- . Smooth, hand-finished design

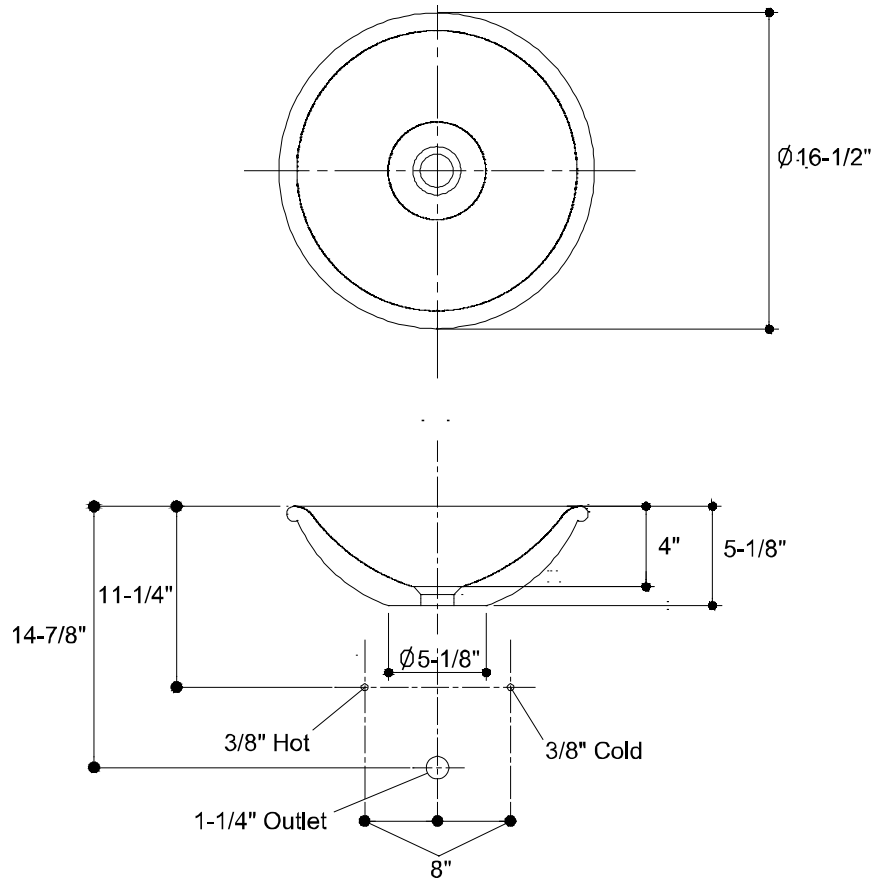
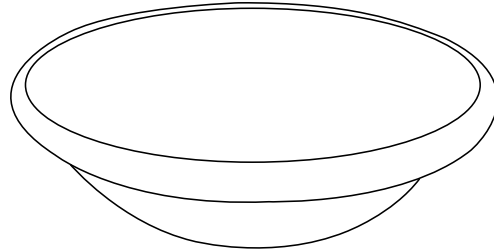
**Marble & Stone**

- .11 Carrara Bianco White Marble
- .14 Black Marble

**INSTALLATION NOTES**

Install this product according to the installation guide.  
Fixture dimensions are nominal and conform to tolerances in ASME Standard A112.19.2M.

**REGATTA™**  
**water co.**  
an AXENT corporation



**NOTES:**

DIMENSIONS SHOWN FOR LOCATION OF SUPPLIES AND "P" TRAP ARE SUGGESTED.  
FITTINGS NOT INCLUDED AND MUST BE ORDERED SEPARATELY.

**IMPORTANT:** Dimensions of fixtures are nominal and may vary within the range of tolerances established by ANSI Standard A112.19.2M. These measurements are subject to change or cancellation. No responsibility is assumed for use of superseded or voided pages.